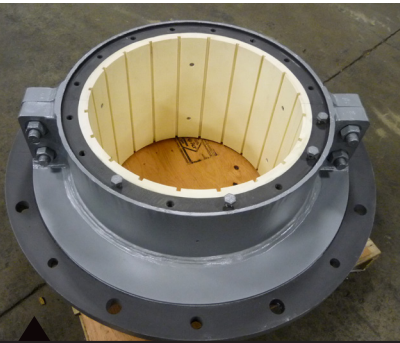
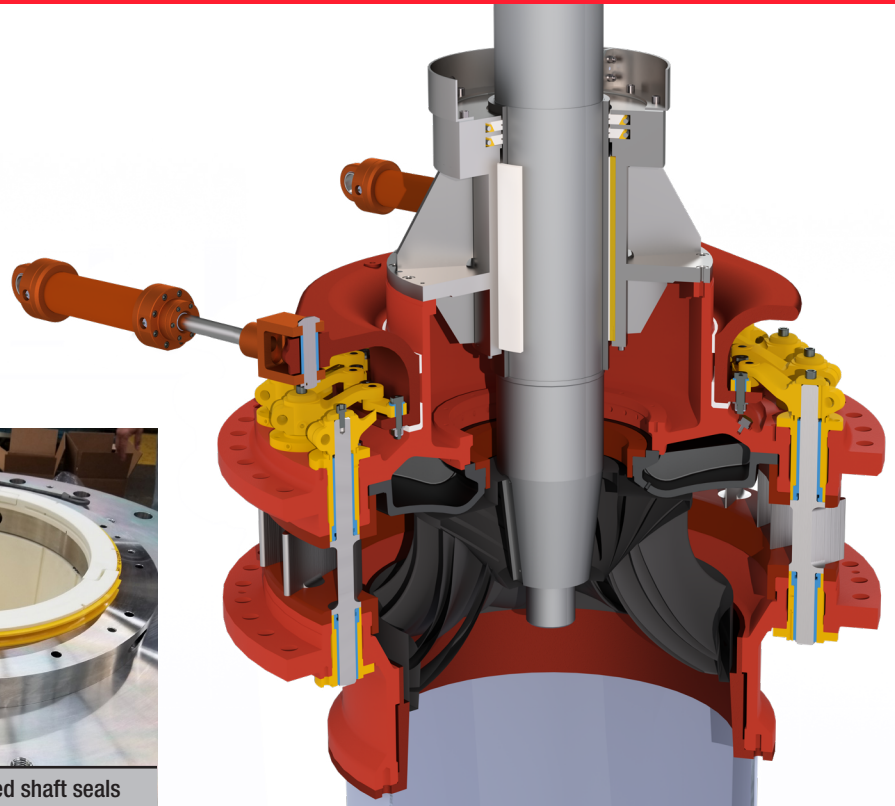




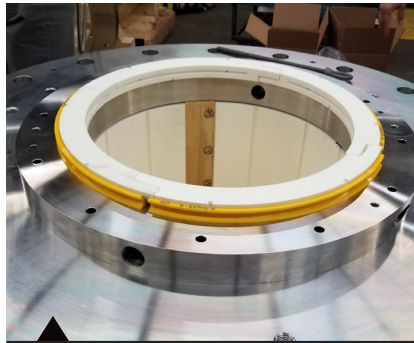
**HYDRO-TURBINE THORDON COMPONENTS**

**THORDON SOLUTIONS**

- Wicket gate and linkage bearings
- Segmented shaft seals (superior to carbon segments)
- Operating ring wear pads
- Water lubricated turbine guide bearings (design and fabrication)
- Water quality package
- etc...



THORDON SXL Turbine guide bearing



THORDON SXL Segmented shaft seals



Complete set of THORDON PRODUCTS for hydro turbine unit